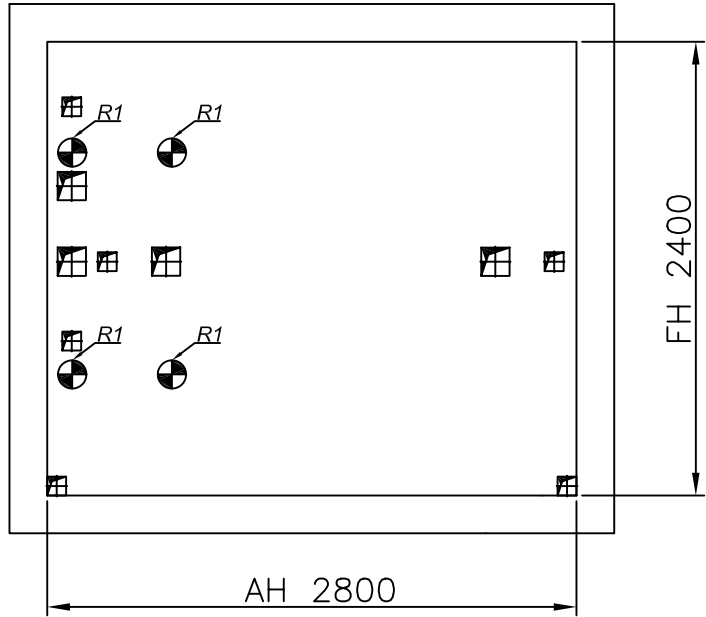
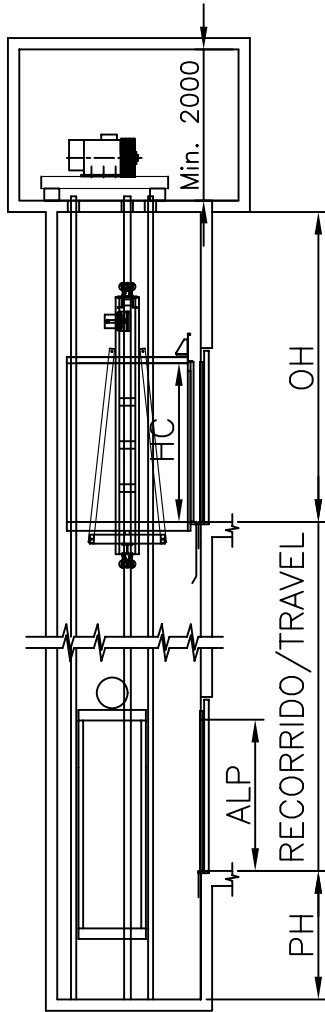
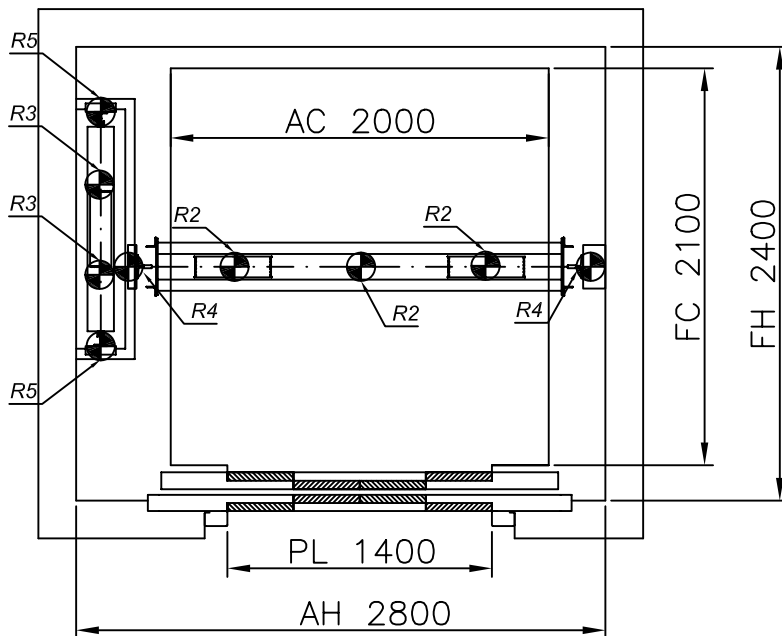


ESCALA/SCALE 1:100

ESCALA/SCALE 1:40



ESCALA/SCALE 1:40



ACCIONES SOBRE EL HUECO

| | | |
|----|--|---------|
| R1 | CARGA SOBRE SOBRESO LOSA / SLAB LOAD | 51188 N |
| R2 | CARGA EN PUFFER CAB / CAR BUFFER LOAD | 50666 N |
| R3 | CARGA EN PUFFER CPSO / CTW BUFFER LOAD | 56000 N |
| R4 | CARGA EN GUÍA CAB / CAR GUIDE LOAD | 37240 N |
| R5 | CARGA EN GUÍA CPSO / CTW GUIDE LOAD | 2000 N |
| | REACCION DE GUIAS Sx / GUIDES REACTIONS Sx | 1540 N |
| | REACCION DE GUIAS Sy / GUIDES REACTIONS Sy | 2943 N |

MP2625 GO! "C"

| | |
|----------|----------------|
| 2000 Kg | 2,5 m/s |
| 26 P. | GO! |
| FOSO/PIT | HUIDA/OVERHEAD |
| 1700 | 4100 |



42 Kw